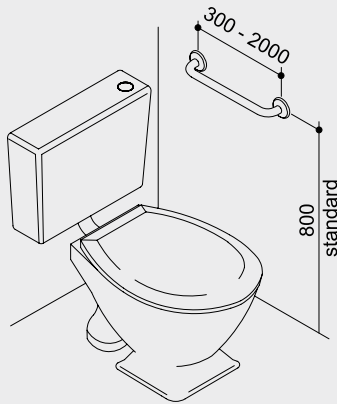


GR00 (300-2000)

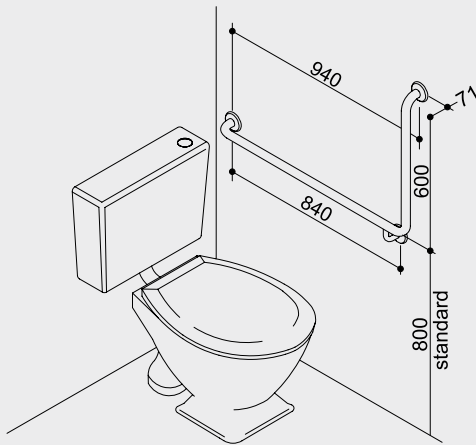
Toilet Grab Rail



Fabricated of grade 304 stainless steel and shall have concealed flanges. Sizes available from 300 to 2000mm.

GR05

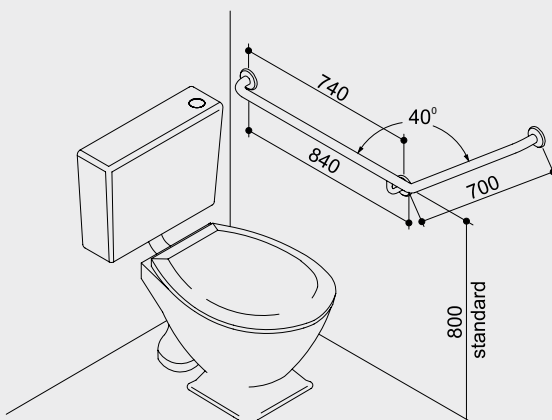
Toilet Grab Rail



Fabricated of grade 304 stainless steel and shall have concealed flanges with bent 90 degree angle.

GR06

Toilet Grab Rail

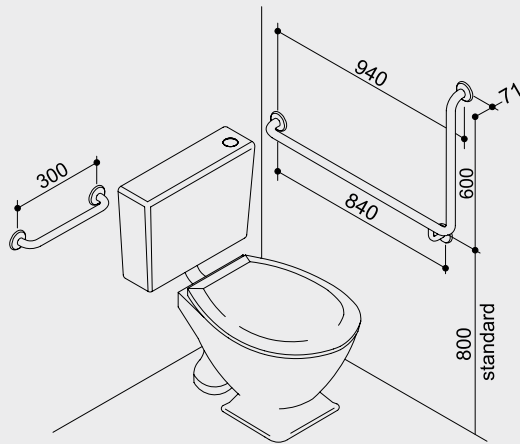


Fabricated of grade 304 stainless steel and shall have concealed flanges with bent 40 degree angle.

JD MacDonald reserves the right to, and does from time to time, make changes and improvements in design and dimensions. The photographs & descriptions of the products in this catalogue are representational only. All dimensions are in millimetres.

GRC53

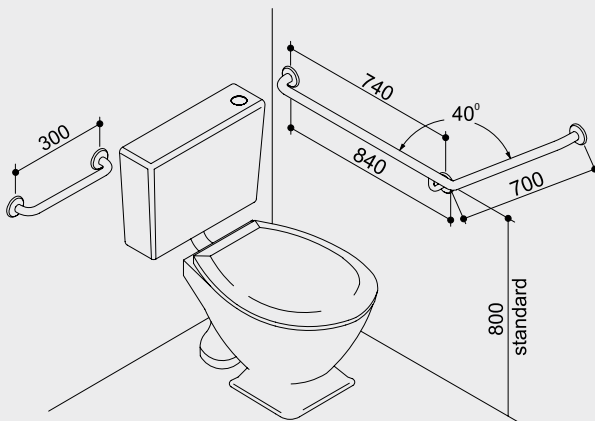
Toilet Grab Rail



Fabricated of grade 304 stainless steel and shall have concealed flanges, two piece set for exposed cisterns. Main piece bent 90 degree angle. 300mm straight grab rail included.

GRC63

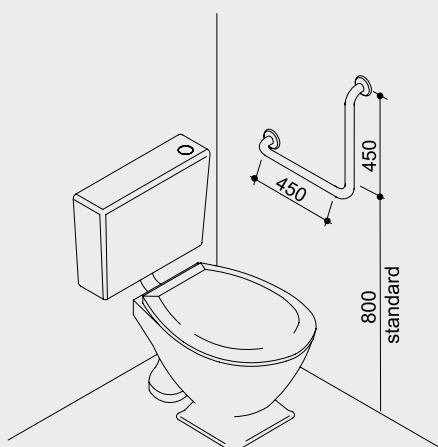
Toilet Grab Rail



Fabricated of grade 304 stainless steel and shall have concealed flanges, two piece set for exposed cisterns. Main piece bent 40 degree angle. 300mm straight grab rail included.

GRC-AM45

Toilet Grab Rail

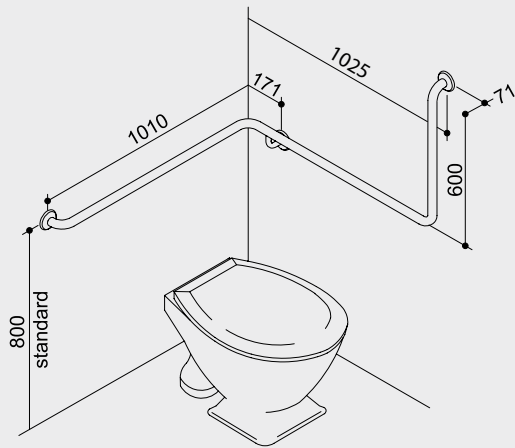


Fabricated of grade 304 stainless steel and shall have concealed flanges. Two units equal one set.

JD MacDonald reserves the right to, and does from time to time, make changes and improvements in design and dimensions. The photographs & descriptions of the products in this catalogue are representational only. All dimensions are in millimetres.

GR01/90

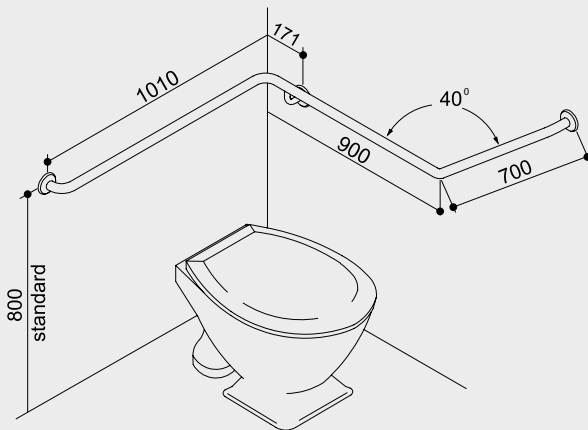
Toilet Grab Rail



Fabricated of grade 304 stainless steel for concealed cistern and shall have concealed flanges with bent 90 degree angle.

GR01/40

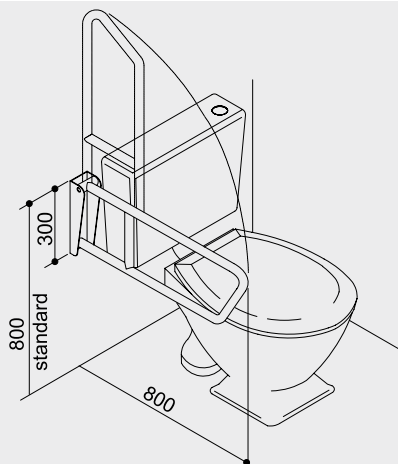
Toilet Grab Rail



Fabricated of grade 304 stainless steel for concealed cisterns and shall have concealed flanges with bent 40 degree angle.

GR20

Toilet Grab Rail

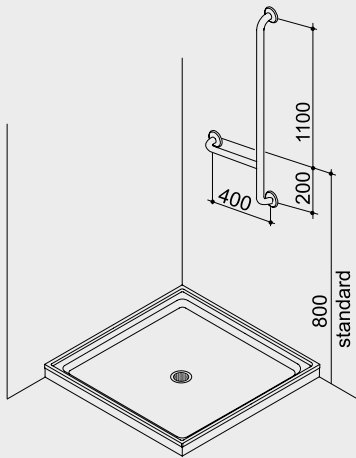


Fabricated of grade 304 stainless steel and shall have drop down grab rail.

JD MacDonald reserves the right to, and does from time to time, make changes and improvements in design and dimensions. The photographs & descriptions of the products in this catalogue are representational only. All dimensions are in millimetres.

GR27

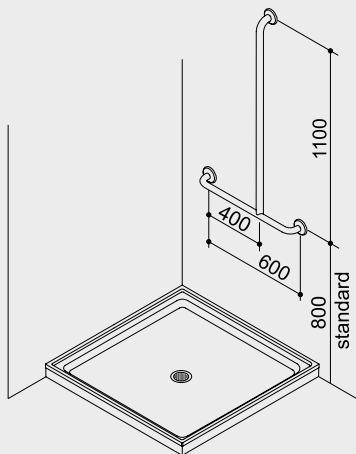
Shower Grab Rail



Fabricated of grade 304 stainless steel and shall have concealed flanges.

GR29

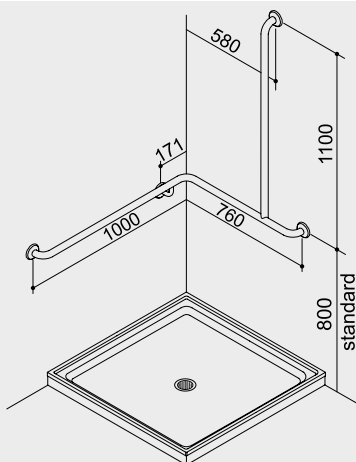
Shower Grab Rail



Fabricated of grade 304 stainless steel and shall have 'T' shape grab rail and concealed flanges.

GR34

Shower Grab Rail

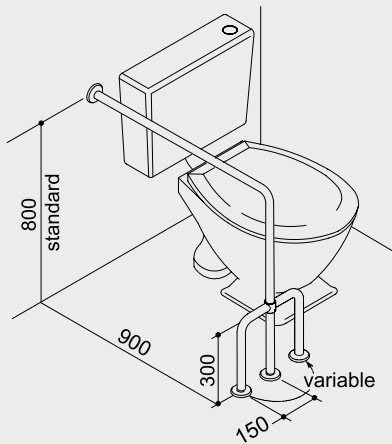


Fabricated of grade 304 stainless steel and shall have concealed flanges.

JD MacDonald reserves the right to, and does from time to time, make changes and improvements in design and dimensions. The photographs & descriptions of the products in this catalogue are representational only. All dimensions are in millimetres.

GR09

Toilet Grab Rail



Fabricated of grade 304 stainless steel and shall have moveable outrigger and concealed flanges.

8203-M-AU

Folding Phenolic Shower Seat



Fabricated of grade 304 stainless steel with 8mm thick, one piece, solid Phenolic, ivory coloured seat. Features a self-locking mechanism. Overall size: 960 x 400mm.

SS960

Folding Acrylic Shower Seat



Fabricated of grade 304 stainless steel with solid white acrylic deck. Overall size: 960 x 400mm.

SS960A (not shown) similar to SS960, except deck is aluminium slats, powder coated white.

SS600 (not shown) similar to SS960, except not disabled compliant to Australian standards. Overall size: 600 x 400mm.

JD MacDonal reserves the right to, and does from time to time, make changes and improvements in design and dimensions. The photographs & descriptions of the products in this catalogue are representational only. All dimensions are in millimetres.

JDMTRACK

Shower Curtain Tracks



Fabricated of Aluminium and shall be powder coated white. Various straight and 'L' shape lengths available. Comes with hooks.

Refer to JD MacDonald specification sheet to view standard sizes available.

JDMROD

Shower Curtain Rods



Fabricated of grade 304 stainless steel and is available with fixed end flanges or loose end flanges. Various straight and 'L' shape lengths available.

Refer to JD MacDonald specification sheet to view standard sizes available.

1200-SHU

Shower Curtain Hooks



Fabricated of grade 304 stainless steel and shall be for rods 25mm and 32mm diameter.

JD MacDonald reserves the right to, and does from time to time, make changes and improvements in design and dimensions. The photographs & descriptions of the products in this catalogue are representational only. All dimensions are in millimetres.

JDMCURT-NT Shower Curtains



Fabricated of Nylon Taffeta, white and weighted. 8 hooks shall be required per meter.

Refer to JD MacDonald specification sheet to view standard sizes available.

JDMCURT-BSP Shower Curtains



Fabricated of Box Stripe Polyester, white and weighted. 8 hooks shall be required per meter.

Refer to JD MacDonald specification sheet to view standard sizes available.

JD MacDonald reserves the right to, and does from time to time, make changes and improvements in design and dimensions. The photographs & descriptions of the products in this catalogue are representational only. All dimensions are in millimetres.